

LAMPHOLDER E14

LUCE di Pagnutti Bruna

production of components
for lighting technology

One-piece thermoplastic lampholder E14


Rated temperature: T180 - T210

Rated voltage: 250V

Material: thermoplastic

Rated current: 2A

Other colours on request

Approval: **IMQ** 

ENEC 03 

One-piece lampholder E14

Terminals: double spring type for easy insertion for two rigid or flexible cables $0.5 \div 1.5\text{mm}^2$

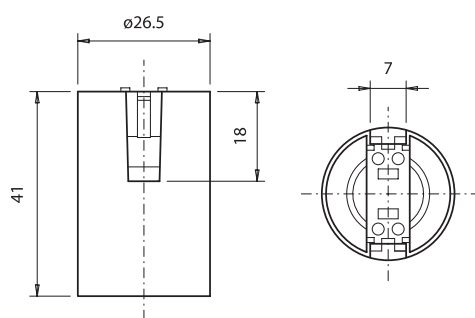
Outer shell: smooth

Connection: with clip on domes

Package: 1.000 pieces

T180 cod. 11111 natural cod. 11112 white
cod. 11113 gold cod. 11114 black

T210 cod. 11121 natural cod. 11122 white
cod. 11123 gold cod. 11124 black



One-piece lampholder E14

Terminals: double spring type for easy insertion for two rigid or flexible cables $0.5 \div 1.5\text{mm}^2$

Outer shell: threaded

Connection: with clip on domes

Package: 1.000 pieces

T180 cod. 11211 natural cod. 11212 white
cod. 11213 gold cod. 11214 black

T210 cod. 11221 natural cod. 11222 white
cod. 11223 gold cod. 11224 black

