


LAMPHOLDER E14

One-piece thermoplastic lampholder E14

Rated temperature: T180 - T210

Rated voltage: 250V

Rated current: 2A

Approval: **IMQ** 

Material: thermoplastic

Other colours on request

ENEC 03 

LUCE di Pagnutti Bruna

production of components
for lighting technology

One-piece lampholder E14

Terminals: double spring type for easy insertion for two rigid or flexible cables $0.5 \div 1.5\text{mm}^2$

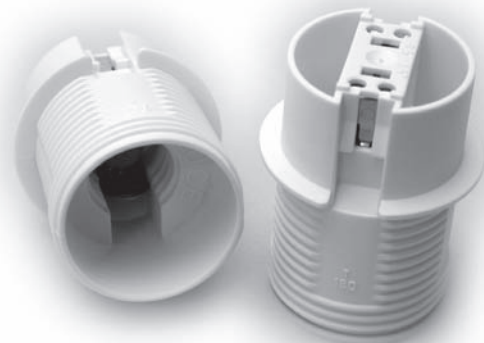
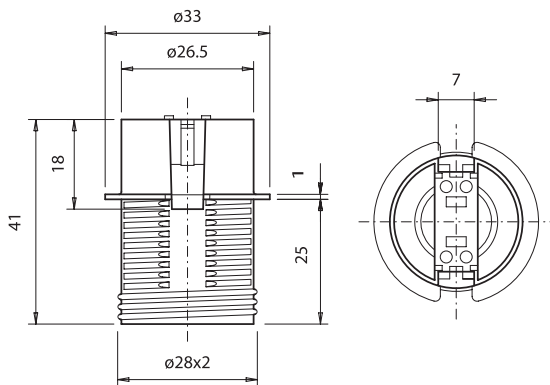
Outer shell: partly threaded with flange

Connection: with clip on domes

Package: 1.000 pieces

T180 cod. 11311 natural cod. 11312 white
cod. 11313 gold cod. 11314 black

T210 cod. 11321 natural cod. 11322 white
cod. 11323 gold cod. 11324 black



One-piece lampholder E14

Terminals: double spring type for easy insertion for two rigid or flexible cables $0.5 \div 1.5\text{mm}^2$

Outer shell: short threaded

Connection: with dome or dome with clip on bracket

Package: 1.000 pieces

T180 cod. 11411 natural cod. 11412 white
cod. 11413 gold cod. 11414 black

T210 cod. 11421 natural cod. 11422 white
cod. 11423 gold cod. 11424 black

